

GFB 系列回转减速机



使用条件

减速机是按使用环境温度范围-20℃~+40℃设计的。诸如：水、含盐空气、沙子、灰尘、过压、大的震动。外部冲击负荷环境温度、腐蚀性介质等环境影响都会损害设备的功能，这影响必须向用户说明，以保证安全设计。

减速机的设计

减速机的设计是以多年的使用经验为基础的，标准输出转速最大为每分钟25转，对于不同的机构工作级别，必须用系数K对所要求的输出扭矩进行换算。

更大的扭矩

若用户所需的扭矩比我们表中列出的更大，请随时与我们联系。

液压马达

减速机是按定或者变量马达变直接法兰连接设计的。按用户需求也可提供液压马达。

制动器

按照标准，传动装置中装有一个弹簧制动液压释放的多片式停车制动器。TBr(最小静态制动力矩)=1.3·T1(输入扭矩)
片式停车制动器不能用作动态工作制动器。制动力矩根据所选用的速比进行匹配。

润滑

齿轮啮合和轴承需浸渍润滑。传动装置除定期换油以外，无须维护。换油也很容易，必须使用操作所指定的润滑油。换油周期因使条件而异，此点在操作指南中也有说明。输出小齿轮的滚动轴承为脂润滑。

Application Conditions

The gearboxes have been designed for use at ambient temperatures ranging between -20°C and +40°C. Environmental influences such as salt water, salty air, sand, dust, overpressure, heavy vibrations, extreme shocks and ambient temperatures, aggressive media and other environment will damage the function of the product. To guarantee a safety design, these conditions must be reported to users.

Gearbox Design

The design of the reducer used many years experience as the foundation. The standard maximum output rotate speed is 25 r/min. For different institutions working class, the required output torque must use coefficient K to calculate.

Higher Torques

For gearboxes transmitting torques higher than indicated in the catalog please contact us.

Hydraulic Motors

The gearbox design enables the direct flange attachment of a constant or variable displacement motor. If so requested the hydraulic motor can also be included in the gearbox supply.

Brake

According to the standard, the transmission device is equipped with a laminated parking brake. TBr (The minimum static braking torque)=1.3·T1 (input torque). Laminated parking brake can not be used as a dynamic working brake. The braking torque's matching is according to the selected speed ratio.

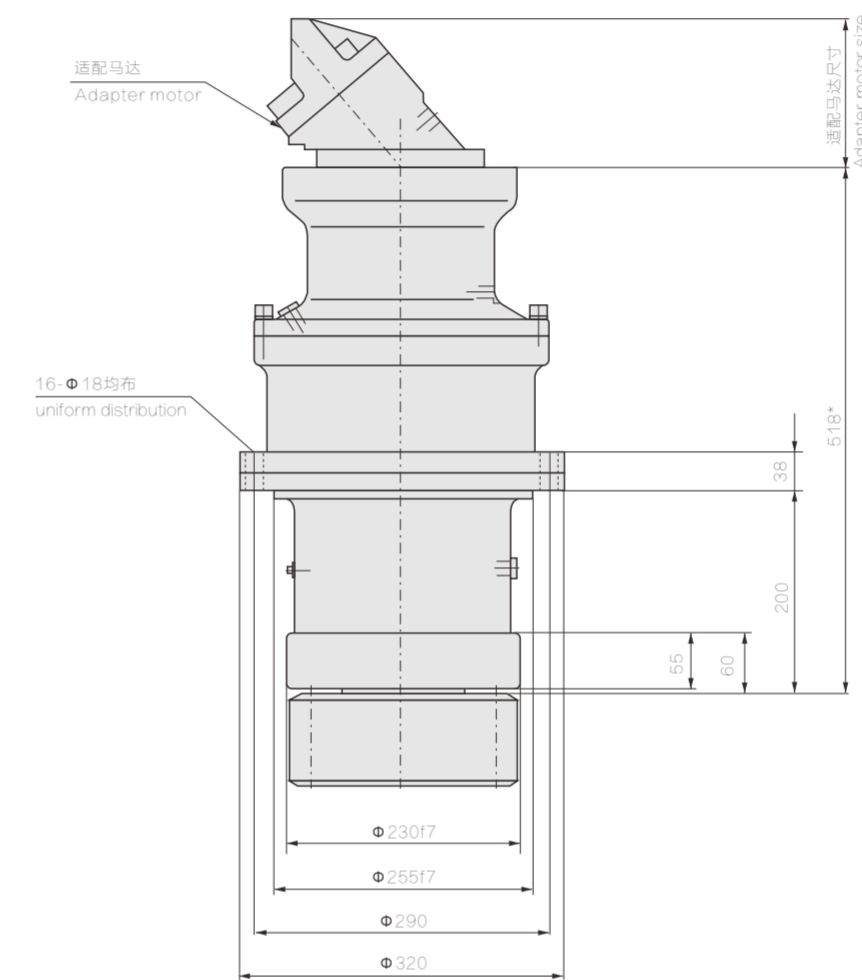
Lubrication

The gear teeth and bearings will be splash lubricated. Save for regular oil changes the drive units do not require maintenance. Changing the oil is done very easily. Exclusively the oil brands recommended in the operating manual must be used for this work. The change intervals necessary for the relevant application conditions are also prescribed in the operating manuals. The pinion-like antifriction bearing of the output shaft has been provided with a for life grease filling.

GFB 17T2/T3 系列回转减速机



外形尺寸 Contour dimension



最高输出扭矩 Max output torque (T _{max})*N·m	传动比 Ratio i	液压马达 Hydraulic motor	静制动扭矩 Static brake torque N·m
12700	27.4 34.3 43.2 78.9 89.2 103.6	A2FE28 A2FE32 A2FE45 A2FE56 A2FE63	400-710

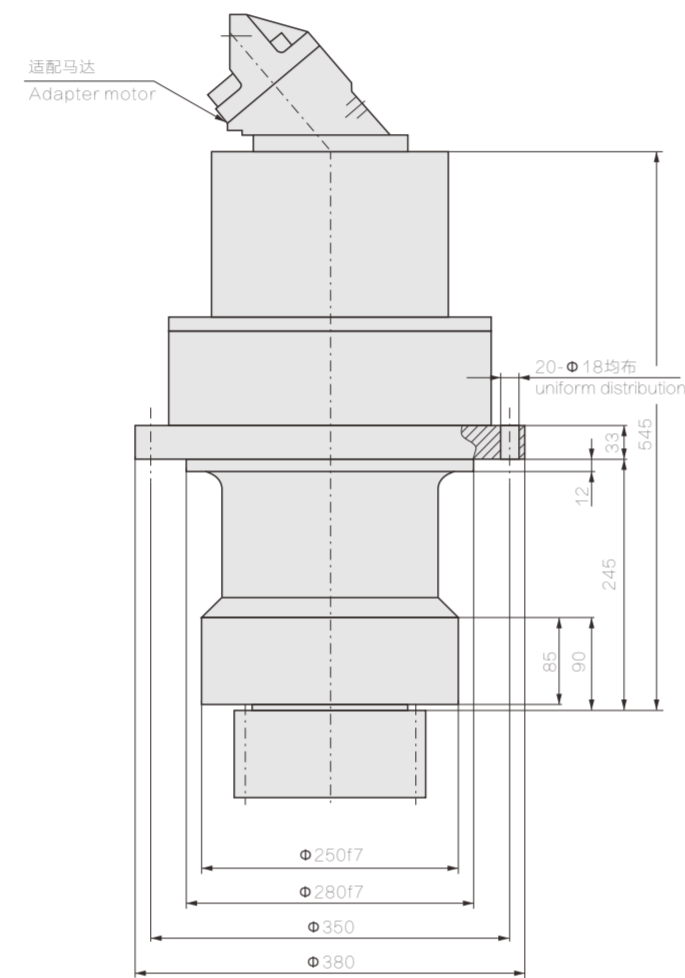
* 减速机输入转向与输出转向相同。
* 输出转速允用值(样本中未规定)因实际工况的而有所变化, 详情请咨询本公司相关技术人员。

* The reducer's input rotation direction is the same as outputs.
* The allowed value for the output rotating (as stated in the example) may varies according to the specific working condition and details could be consulted with our technicians.

GFB 26T2 系列回转减速机



外形尺寸 Contour dimension



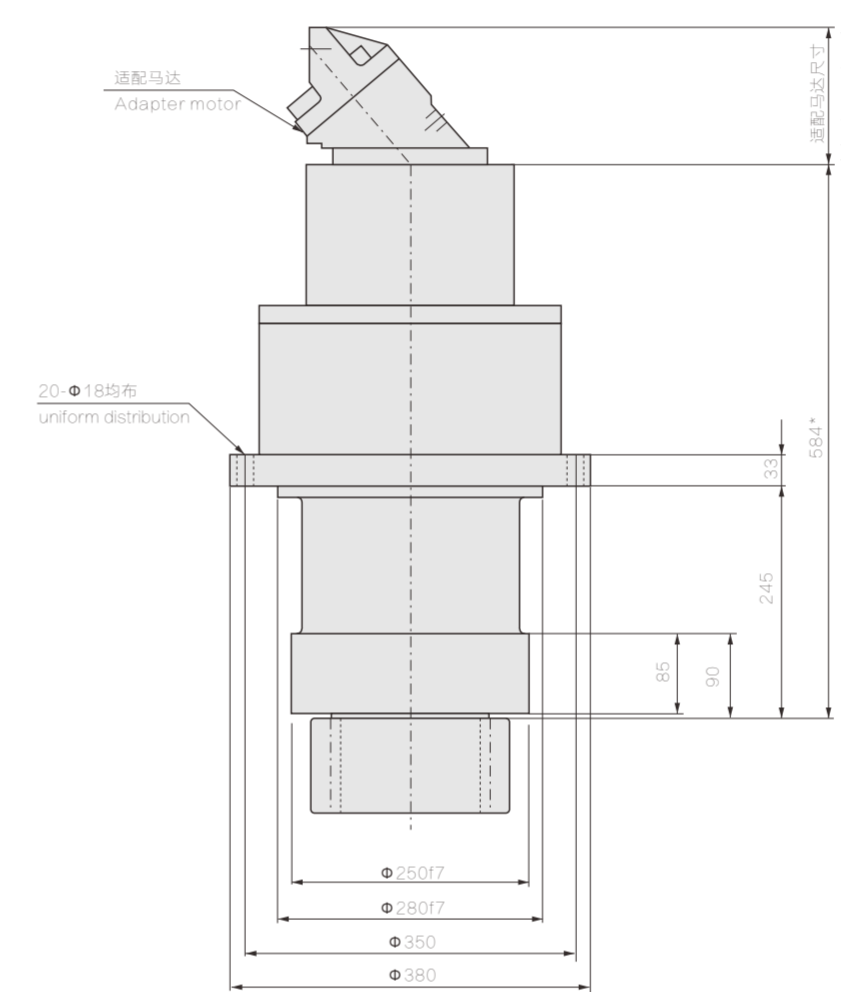
最高输出扭矩 Max output torque (T _{max} N·m)	传动比 Ratio i	液压马达 Hydraulic motor	静制动扭矩 Static brake torque N·m
16500	27.1	A2FE45	500-1000
	31.4	A2FE56	
	37.8	A2FE63	
	43.9	A2FE80	
	51.5	A2FE90	
	63		

* 减速机输入转向与输出转向相同。
 * 输出转速允用值（样本中未规定）因实际工况的而有所变化，详情请咨询本公司相关技术人员。
 * The reducer's input rotation direction is the same as output's.
 * The allowed value for the output rotating (as stated in the example) may varies according to the specific working condition and details could be consulted with our technicians.

GFB 36T2/T3 系列回转减速机



外形尺寸 Contour dimension



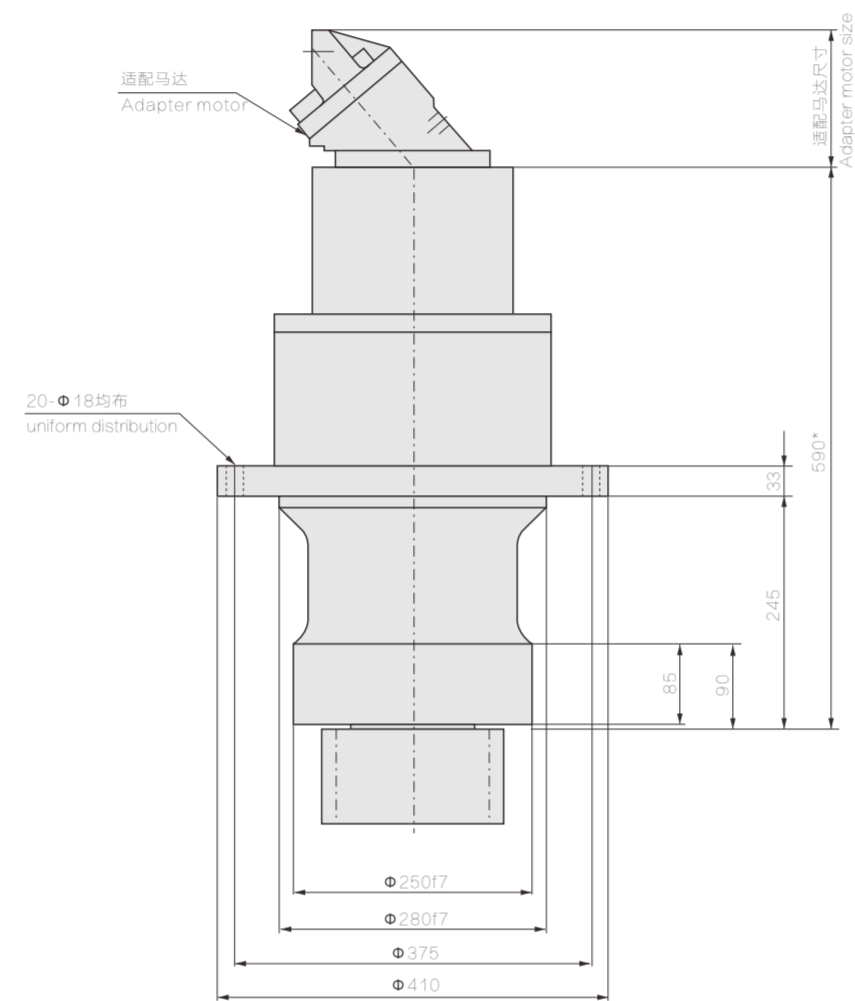
最高输出扭矩 Max output torque (T _{max} N·m)	传动比 Ratio i	液压马达 Hydraulic motor	静制动扭矩 Static brake torque N·m
28500	27.6	A2FE45	400-710
	70	A2FE56	
	80.1	A2FE63	
	101	A2FE80	
	118.26	A2FE90	
		A2FE107	

* 减速机输入转向与输出转向相同。
 * 输出转速允用值（样本中未规定）因实际工况的而有所变化，详情请咨询本公司相关技术人员。
 * The reducer's input rotation direction is the same as output's.
 * The allowed value for the output rotating (as stated in the example) may varies according to the specific working condition and details could be consulted with our technicians.

GFB 40T2 系列回转减速机



外形尺寸 Contour dimension



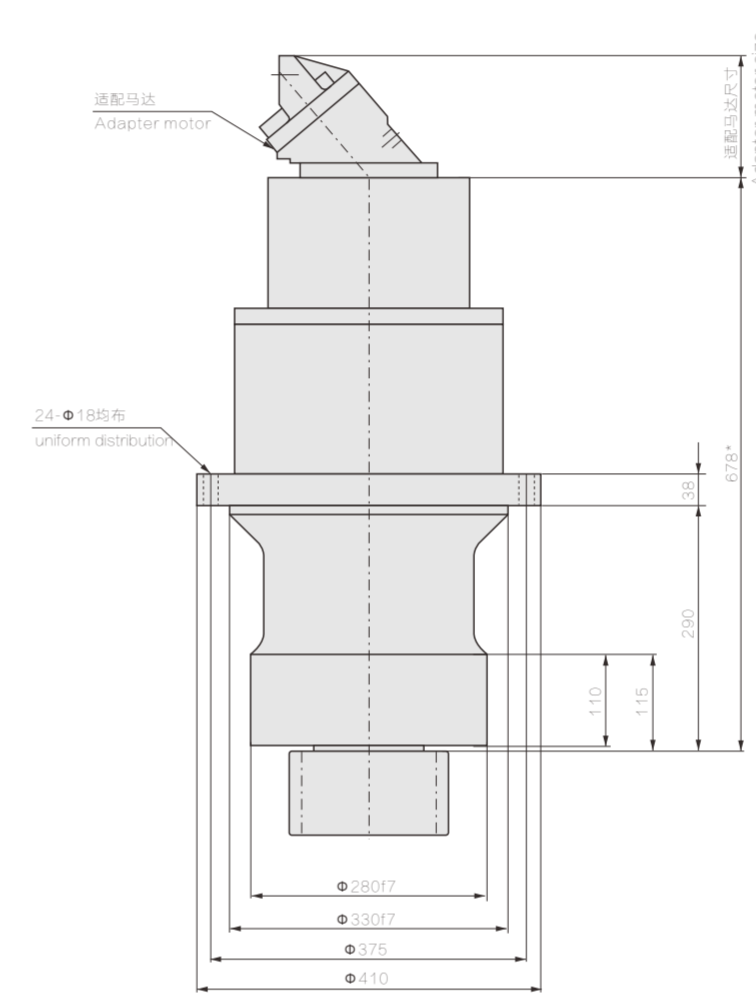
最高输出扭矩 Max output torque (T _{max} N•m)	传动比 Ratio i	液压马达 Hydraulic motor	静制动扭矩 Static brake torque N•m
29000	36.4 42 49.3 60	A2FE45 A2FE66 A2FE63 A2FE80 A2FE90 A2FE107 A2FE125	400-710

* 减速机输入转向与输出转向相同。
 * 输出转速允用值（样本中未规定）因实际工况的而有所变化，详情请咨询本公司相关技术人员。
 * The reducer's input rotation direction is the same as output's.
 * The allowed value for the output rotating (as stated in the example) may varies according to the specific working condition and details could be consulted with our technicians.

GFB 50T2 系列回转减速机



外形尺寸 Contour dimension



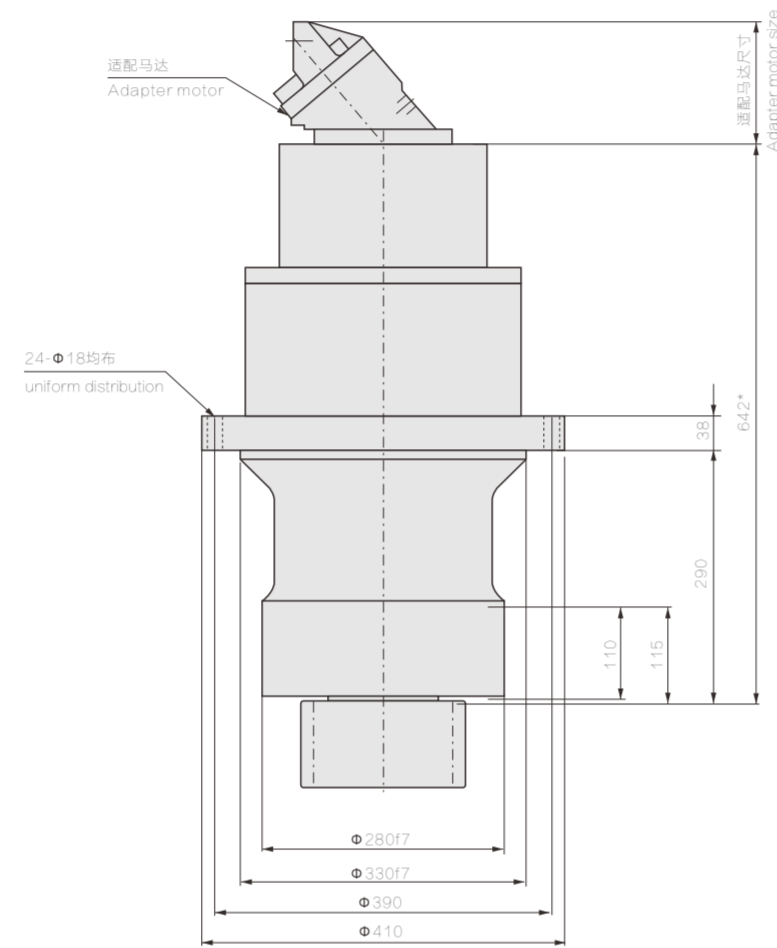
最高输出扭矩 Max output torque (T _{max} N•m)	传动比 Ratio i	液压马达 Hydraulic motor	静制动扭矩 Static brake torque N•m
38000	27.0 32.3 37.8 46.1	A2FE80 A2FE90 A2FE107 A2FE125	400-710

* 减速机输入转向与输出转向相同。
 * 输出转速允用值（样本中未规定）因实际工况的而有所变化，详情请咨询本公司相关技术人员。
 * The reducer's input rotation direction is the same as output's.
 * The allowed value for the output rotating (as stated in the example) may varies according to the specific working condition and details could be consulted with our technicians.

GFB 50T3 系列回转减速机



外形尺寸 Contour dimension



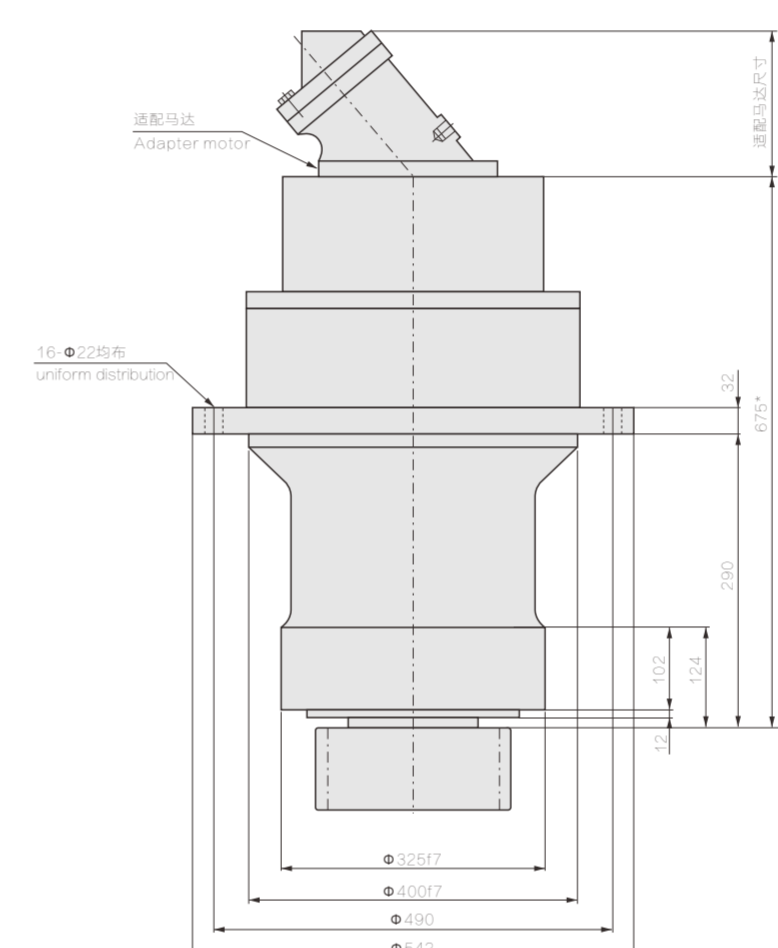
最高输出扭矩 Max output torque (T _{max} N·m)	传动比 Ratio i	液压马达 Hydraulic motor	静制动扭矩 Static brake torque N·m
38000	85.2 92.1 100.7 111.9 126.7 147.4	A2FE45 A2FE66 A2FE63 A2FE80 A2FE90 A2FE107 A2FE125	400-710

* 减速机输入转向与输出转向相同。
 * 输出转速允用值（样本中未规定）因实际工况的而有所变化，详情请咨询本公司相关技术人员。
 * The reducer's input rotation direction is the same as output's.
 * The allowed value for the output rotating (as stated in the example) may varies according to the specific working condition and details could be consulted with our technicians.

GFB 60T2 系列回转减速机



外形尺寸 Contour dimension



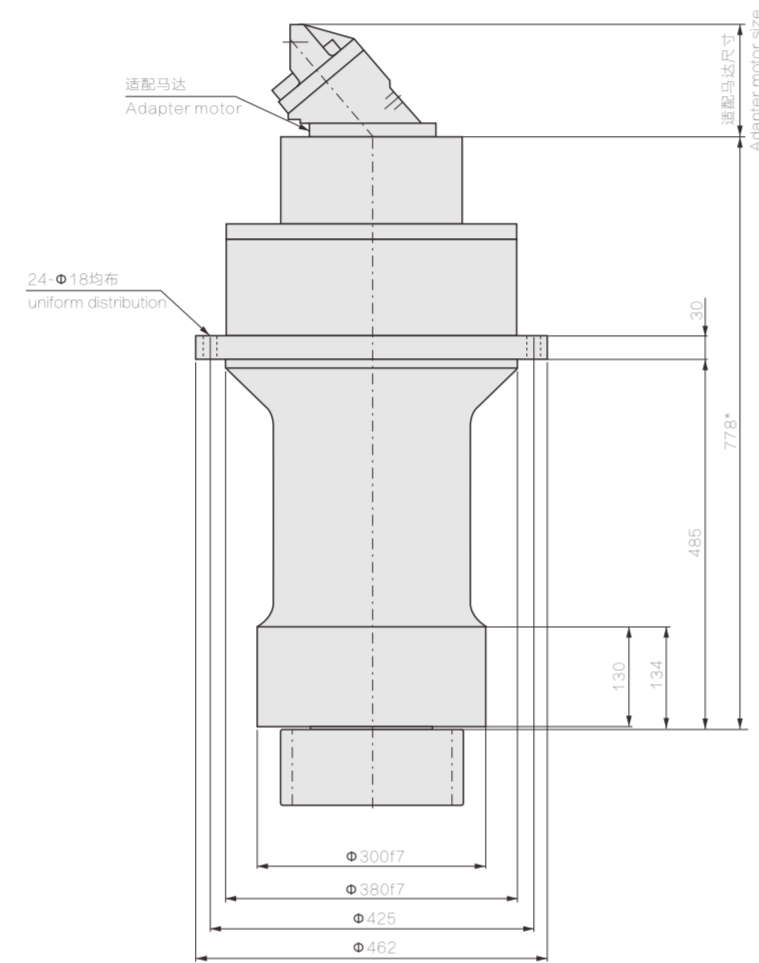
最高输出扭矩 Max output torque (T _{max} N·m)	传动比 Ratio i	液压马达 Hydraulic motor	静制动扭矩 Static brake torque N·m
48500	34.0 23.37 40.4	A2FE80 A2FE90 A2FE107 A2FE125 A2FE160 A2FE180	400-850

* 减速机输入转向与输出转向相同。
 * 输出转速允用值（样本中未规定）因实际工况的而有所变化，详情请咨询本公司相关技术人员。
 * The reducer's input rotation direction is the same as output's.
 * The allowed value for the output rotating (as stated in the example) may varies according to the specific working condition and details could be consulted with our technicians.

GFB 60T3 系列回转减速机



外形尺寸 Contour dimension



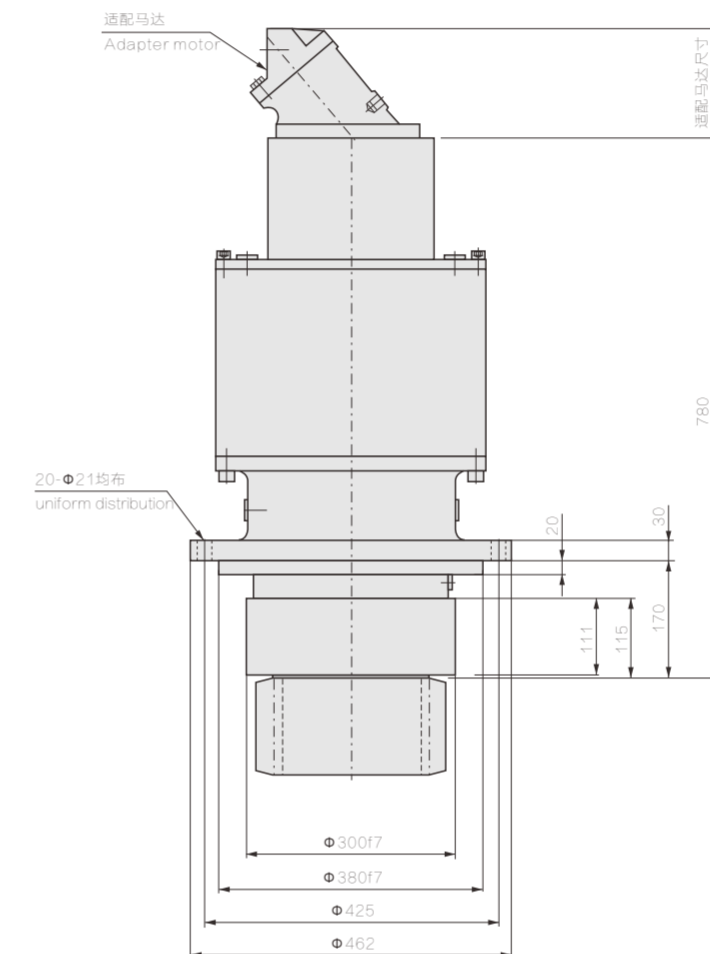
最高输出扭矩 Max output torque (T _{max} N·m)	传动比 Ratio i	液压马达 Hydraulic motor	静制动扭矩 Static brake torque N·m
48500	88.4 95.8 129.2 151.6 172.8 194.5	A2FE45 A2FE66 A2FE63 A2FE80 A2FE90 A2FE107 A2FE125	400-750

* 减速机输入转向与输出转向相同。
 * 输出转速允用值（样本中未规定）因实际工况的而有所变化，详情请咨询本公司相关技术人员。
 * The reducer's input rotation direction is the same as output's.
 * The allowed value for the output rotating (as stated in the example) may varies according to the specific working condition and details could be consulted with our technicians.

GFB 60T3B 系列回转减速机



外形尺寸 Contour dimension



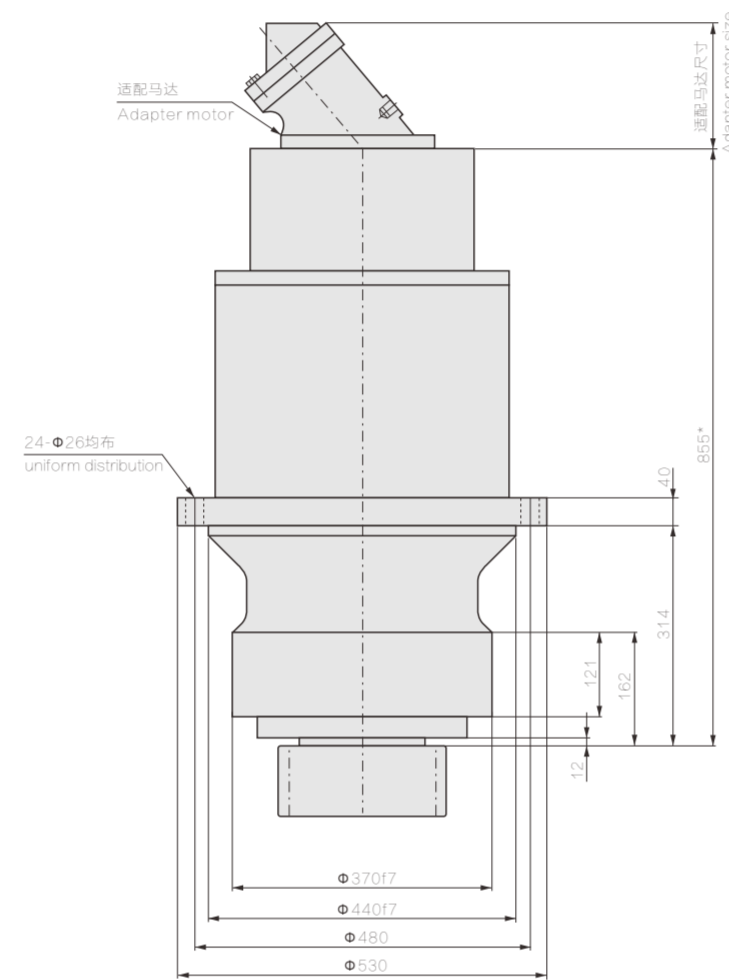
最高输出扭矩 Max output torque (T _{max} N·m)	传动比 Ratio i	液压马达 Hydraulic motor	静制动扭矩 Static brake torque N·m
48500	88.4 129.2 151.6 172.8 190.75 224.4	A2FE56 A2FE63 A2FE80 A2FE90 A2FE107 A2FE125	400-750

* 减速机输入转向与输出转向相同。
 * 输出转速允用值（样本中未规定）因实际工况的而有所变化，详情请咨询本公司相关技术人员。
 * The reducer's input rotation direction is the same as output's.
 * The allowed value for the output rotating (as stated in the example) may varies according to the specific working condition and details could be consulted with our technicians.

GFB 80T3 系列回转减速机



外形尺寸 Contour dimension



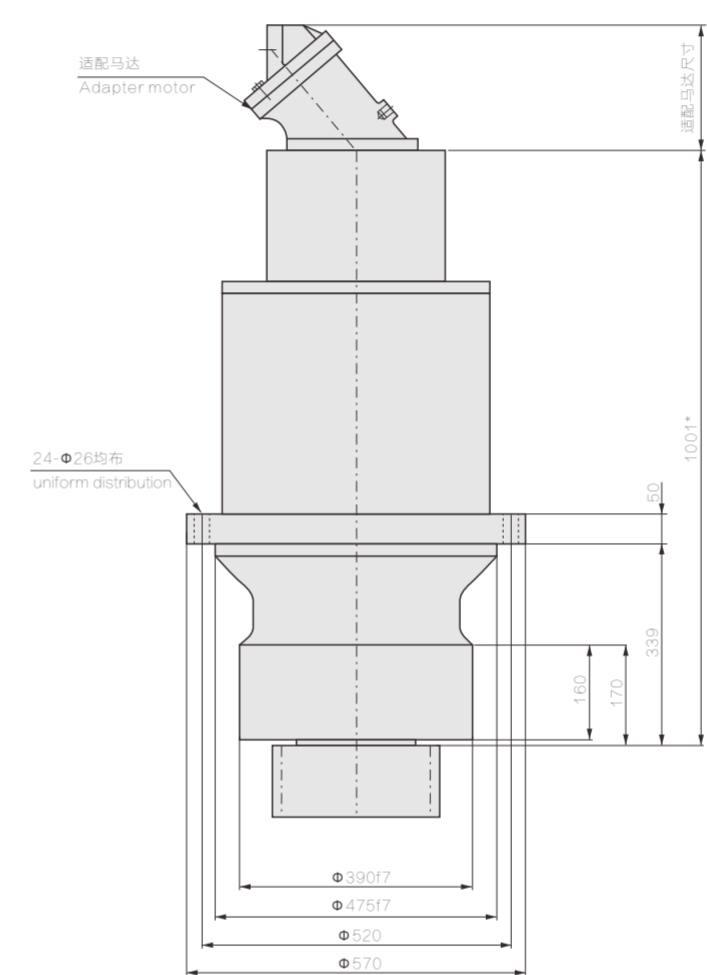
最高输出扭矩 Max output torque (T _{max} N·m)	传动比 Ratio i	液压马达 Hydraulic motor	静制动扭矩 Static brake torque N·m
68300	62.3	A2FE80	400-750
	80.2	A2FE90	
	99.9	A2FE107	
	77.68	A2FE125	

- * 减速机输入转向与输出转向相同。
- * 输出转速允用值（样本中未规定）因实际工况的而有所变化，详情请咨询本公司相关技术人员。
- * The reducer's input rotation direction is the same as output's.
- * The allowed value for the output rotating (as stated in the example) may varies according to the specific working condition and details could be consulted with our technicians.

GFB 110T3 系列回转减速机



外形尺寸 Contour dimension



最高输出扭矩 Max output torque (T _{max} N·m)	传动比 Ratio i	液压马达 Hydraulic motor	静制动扭矩 Static brake torque N·m
93300	80.5	A2FM107	400-1000
	129.6	A2FM125	
	88.6	A2FE107	
	96.8	A2FE125	

- * 减速机输入转向与输出转向相同。
- * 输出转速允用值（样本中未规定）因实际工况的而有所变化，详情请咨询本公司相关技术人员。
- * The reducer's input rotation direction is the same as output's.
- * The allowed value for the output rotating (as stated in the example) may varies according to the specific working condition and details could be consulted with our technicians.